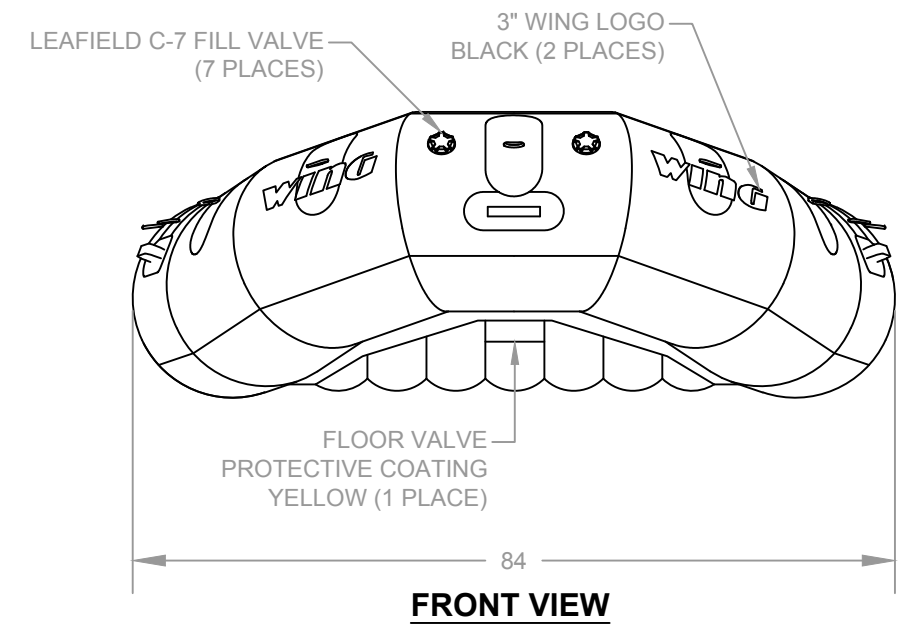
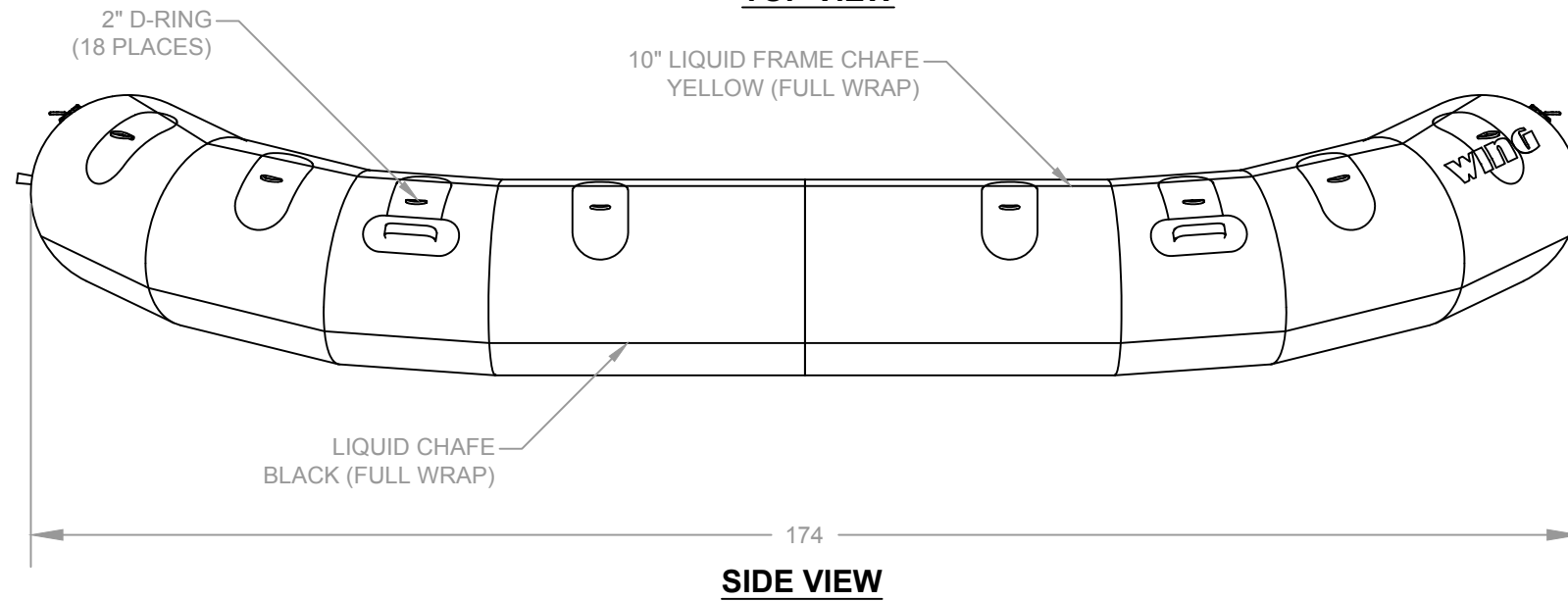
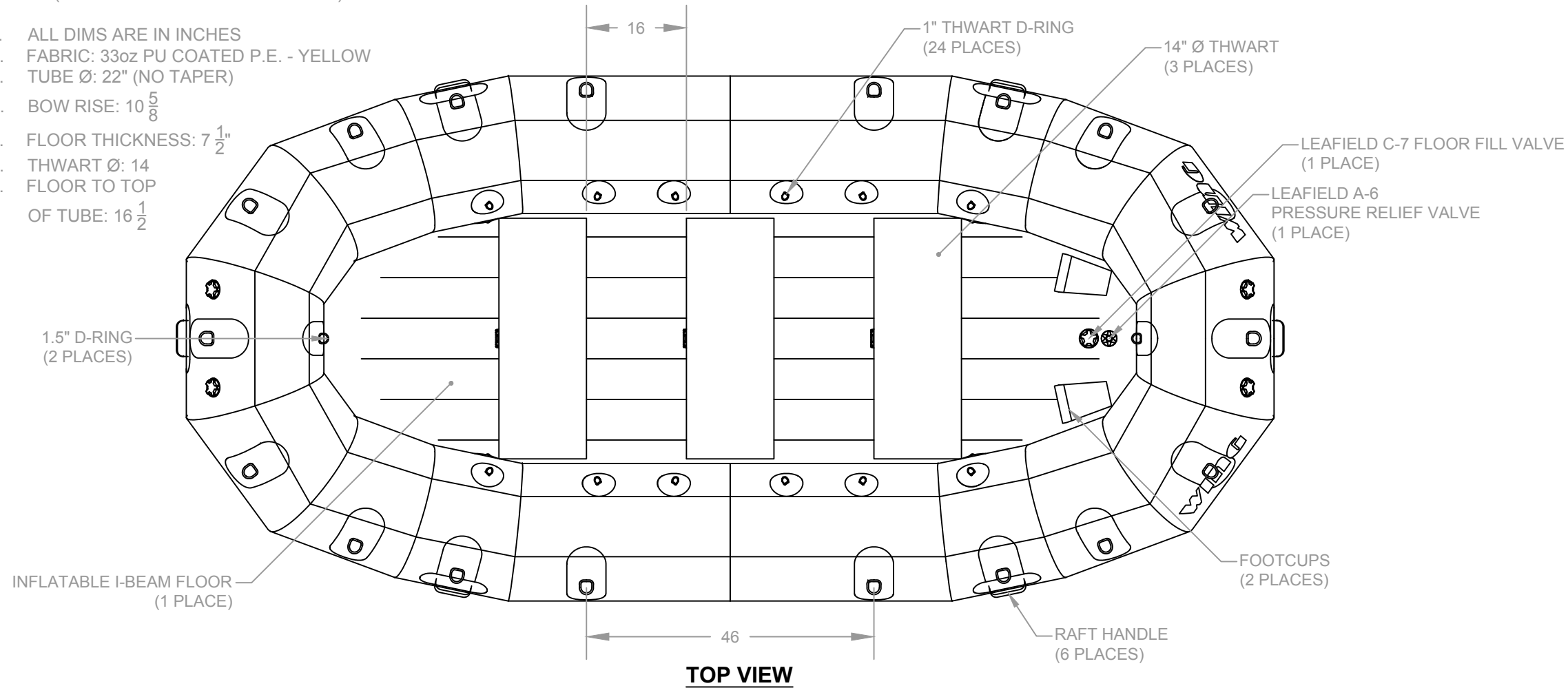


NOTES (UNLESS OTHERWISE SPECIFIED):

1. ALL DIMS ARE IN INCHES
2. FABRIC: 33oz PU COATED P.E. - YELLOW
3. TUBE Ø: 22" (NO TAPER)
4. BOW RISE: $10\frac{5}{8}$
5. FLOOR THICKNESS: $7\frac{1}{2}$ "
6. THWART Ø: 14
7. FLOOR TO TOP OF TUBE: $16\frac{1}{2}$



THIS DOCUMENT CONTAINS PROPRIETARY AND CONFIDENTIAL INFORMATION OF WING INFLATABLES, INC. IT IS NOT TO BE COPIED, REPRINTED OR DISCLOSED TO A THIRD PARTY WITHOUT THE WRITTEN CONSENT OF WING INFLATABLES, INC.

DISTRIBUTION STATEMENT D:
DISTRIBUTION AUTHORIZED TO THE DEPARTMENT OF DEFENSE AND U.S. DOD CONTRACTORS ONLY; ADMINISTRATIVE OR OPERATIONAL USE (2016). OTHER REQUESTS SHALL BE REFERRED TO WING INFLATABLES, INC.

WING
INFLATABLES

1220 5th St.
ARCATA, CA. 95521
PH: 707-826-2887
FAX: 707-826-0136

DESCRIPTION
14' 6" VII RWS WING RAFT – YELLOW, "VANGUARD"
GENERAL ARRANGEMENT

DWG. SIZE
B

DRAWING NO.
7120043

REV
1

CHECKED:

DRAWN BY: LL

APPROVED:

SCALE: 1:20

DATE: 01/09/19

Sheet 1 of 2