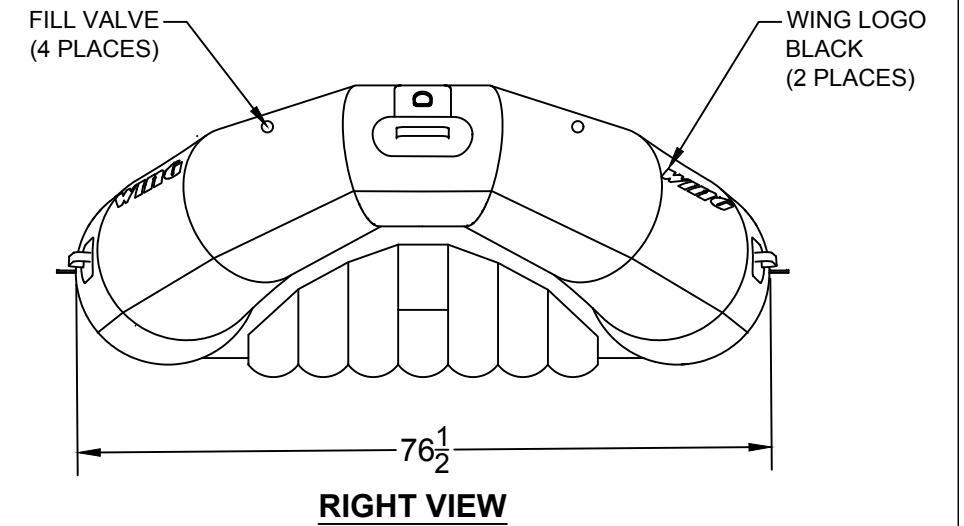
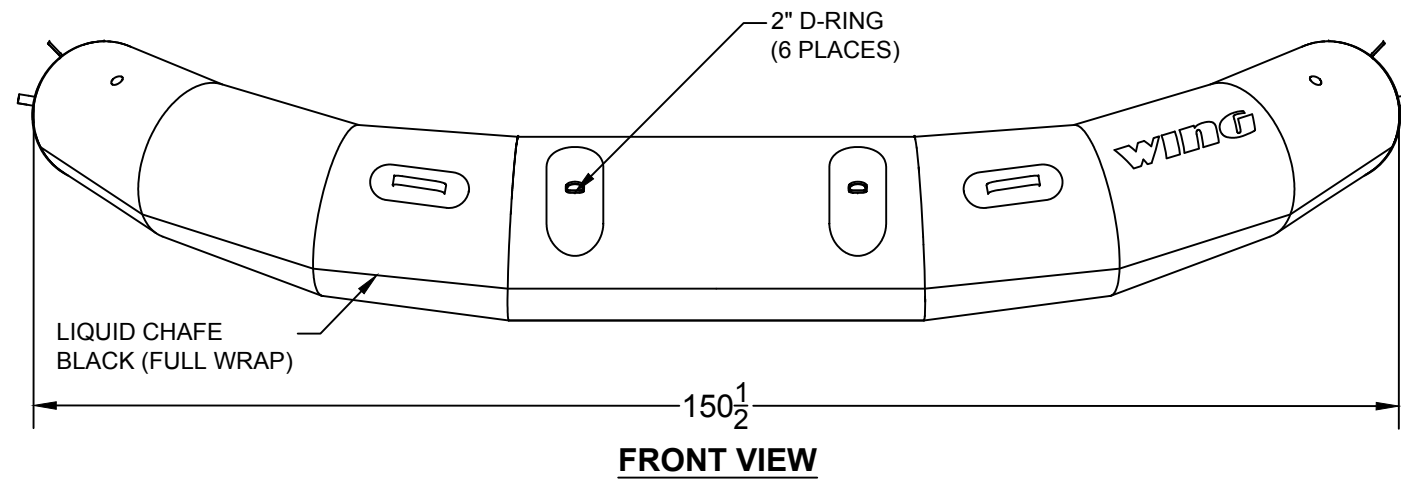
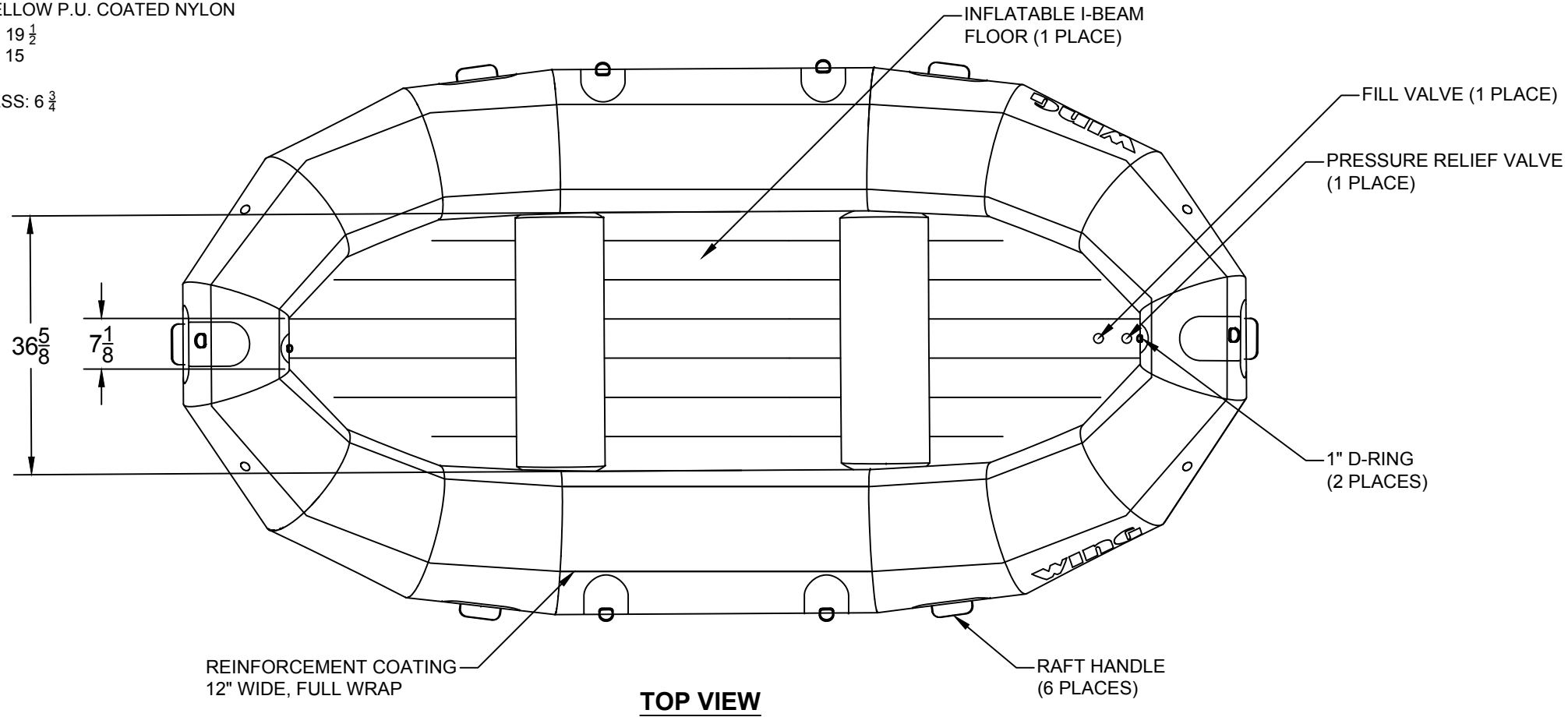


NOTES (UNLESS OTHERWISE SPECIFIED):

1. ALL DIMS ARE IN INCHES
2. FABRIC: 40 oz YELLOW P.U. COATED NYLON
3. SIDE DIAMETER:  $19\frac{1}{2}$
4. BOW DIAMETER: 15
5. BOW RISE: 19.5
6. FLOOR THICKNESS:  $6\frac{3}{4}$



THIS DOCUMENT CONTAINS PROPRIETARY AND CONFIDENTIAL INFORMATION OF WING INFLATABLES, INC. IT IS NOT TO BE COPIED, REPRINTED OR DISCLOSED TO A THIRD PARTY WITHOUT THE WRITTEN CONSENT OF WING INFLATABLES, INC.

DISTRIBUTION STATEMENT D:  
DISTRIBUTION AUTHORIZED TO THE DEPARTMENT OF DEFENSE AND U.S. DOD CONTRACTORS ONLY; ADMINISTRATIVE OR OPERATIONAL USE (2016). OTHER REQUESTS SHALL BE REFERRED TO WING INFLATABLES, INC.

**WING**  
INFLATABLES

1220 5th St.  
ARCATA, CA. 95521  
PH: 707-826-2887  
FAX: 707-826-0136 LL

DESCRIPTION  
GENERAL ARRANGEMENT  
RAFT 12' 6" TAPERED RIVER WING SERIES

DWG. SIZE  
B

DRAWING NO.  
TRWS 12' 6"

REV  
1

CHECKED:

DRAWN BY:

APPROVED:

SCALE:

DATE: 10/5/17