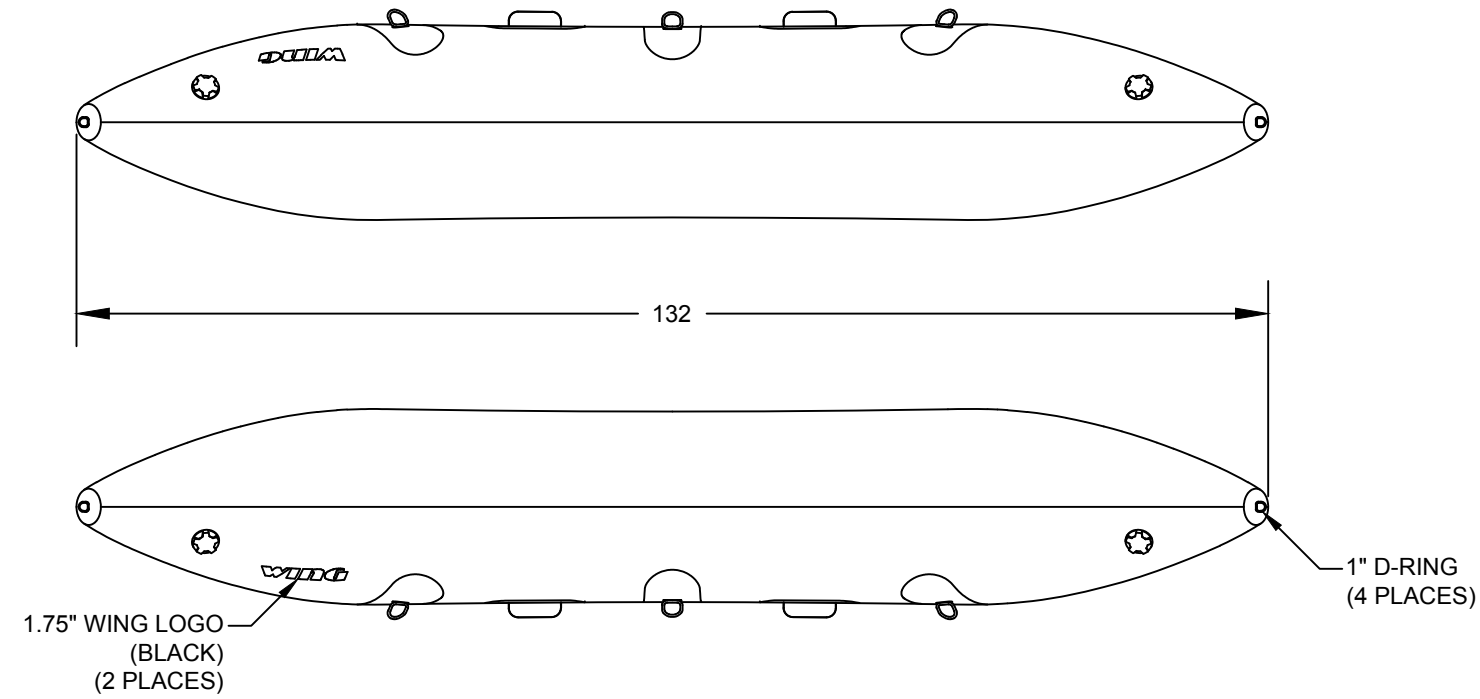
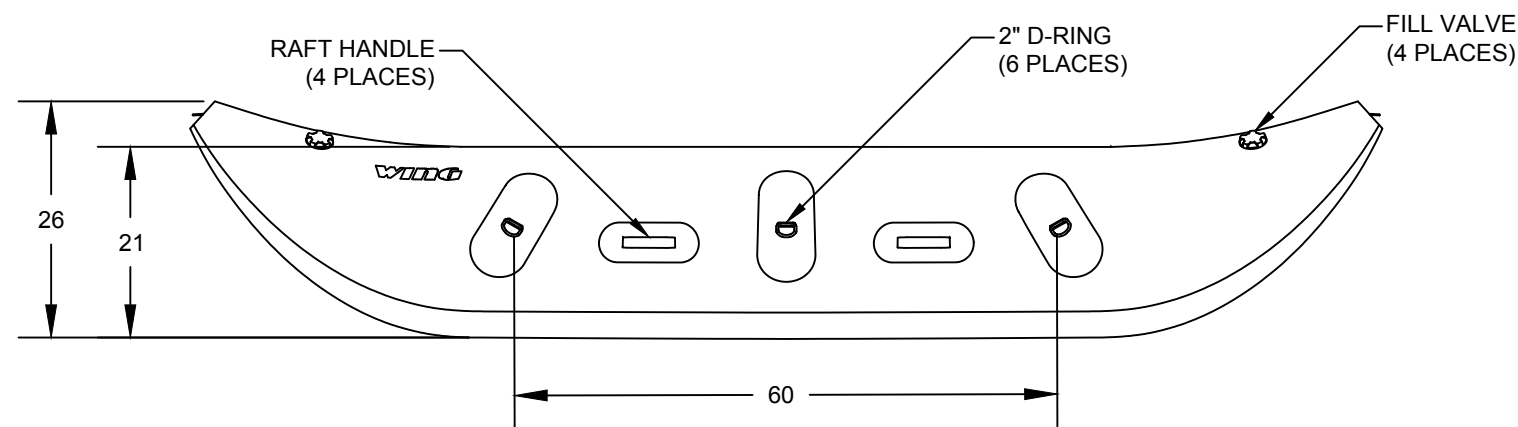
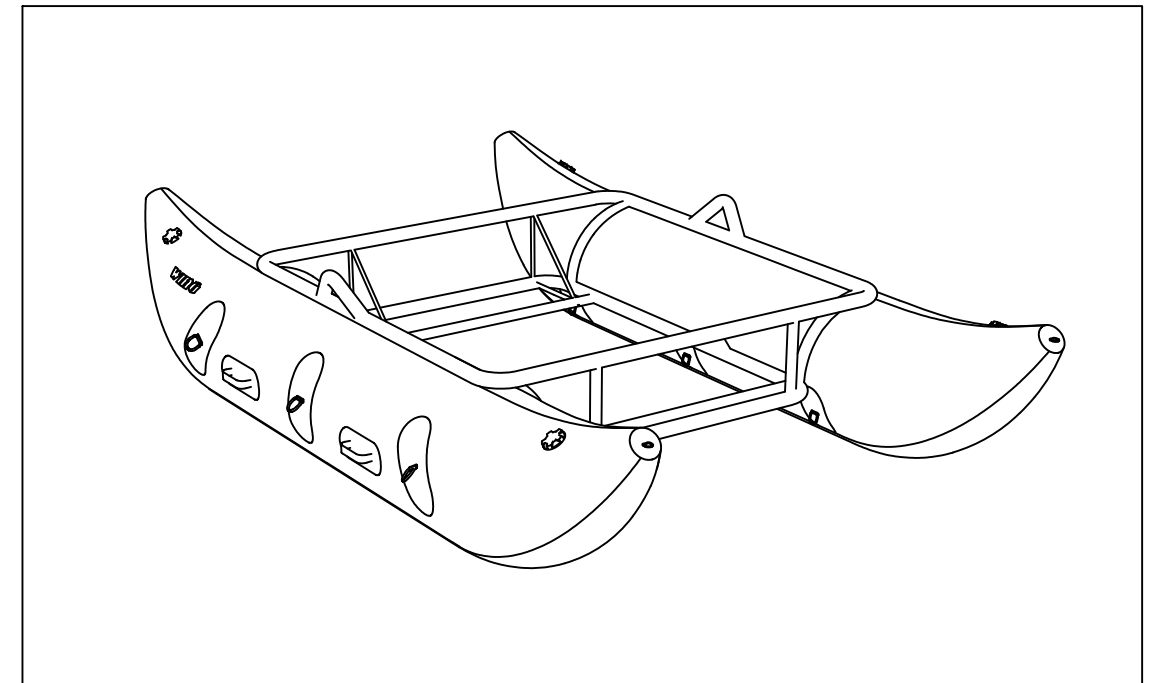


NOTES (UNLESS OTHERWISE SPECIFIED):

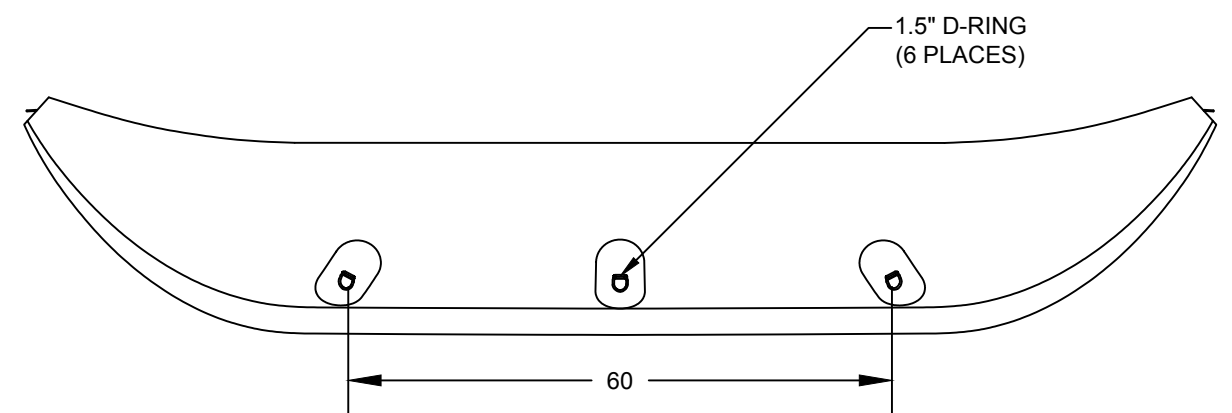
1. ALL DIMS ARE IN INCHES
2. FABRIC: 40oz PU COATED NYLON - YELLOW
3. COATING: NONE
4. TUBE DIAMETER: 21"



**TOP VIEW**



**OUTBOARD VIEW**



**INBOARD VIEW**

THIS DOCUMENT CONTAINS PROPRIETARY AND CONFIDENTIAL INFORMATION OF WING INFLATABLES, INC. IT IS NOT TO BE COPIED, REPRINTED OR DISCLOSED TO A THIRD PARTY WITHOUT THE WRITTEN CONSENT OF WING INFLATABLES, INC.

DISTRIBUTION STATEMENT D:  
 DISTRIBUTION AUTHORIZED TO THE DEPARTMENT OF DEFENSE AND U.S. DOD CONTRACTORS ONLY; ADMINISTRATIVE OR OPERATIONAL USE (2016). OTHER REQUESTS SHALL BE REFERRED TO WING INFLATABLES, INC.



1220 5th St.  
 ARCATA, CA. 95521  
 PH: 707-826-2887  
 FAX: 707-826-0136

DESCRIPTION  
 WING 11' CATARAFT, YELLOW  
 GENERAL ARRANGEMENT

DWG. SIZE  
 B

DRAWING NO.  
 7210028

REV  
 A

CHECKED:

DRAWN BY: ND

APPROVED:

SCALE: 1:20

DATE: 8/28/18

SHEET 1 OF 1